

All rights reserved by **CNHi**.

The information contained in this catalogue is intended to be of a general nature only. **CNHi** may at any time and from time to time, for technical or other necessary reasons, modify any of the details or specifications of the product described in this catalogue.

To be sure of getting accurate, detailed and up-to-date information, an intending buyer should consult his nearest **CNHi** dealer or distributor.

Single item numeration method used in this catalogue may not be used without written consent from **CNHi**.

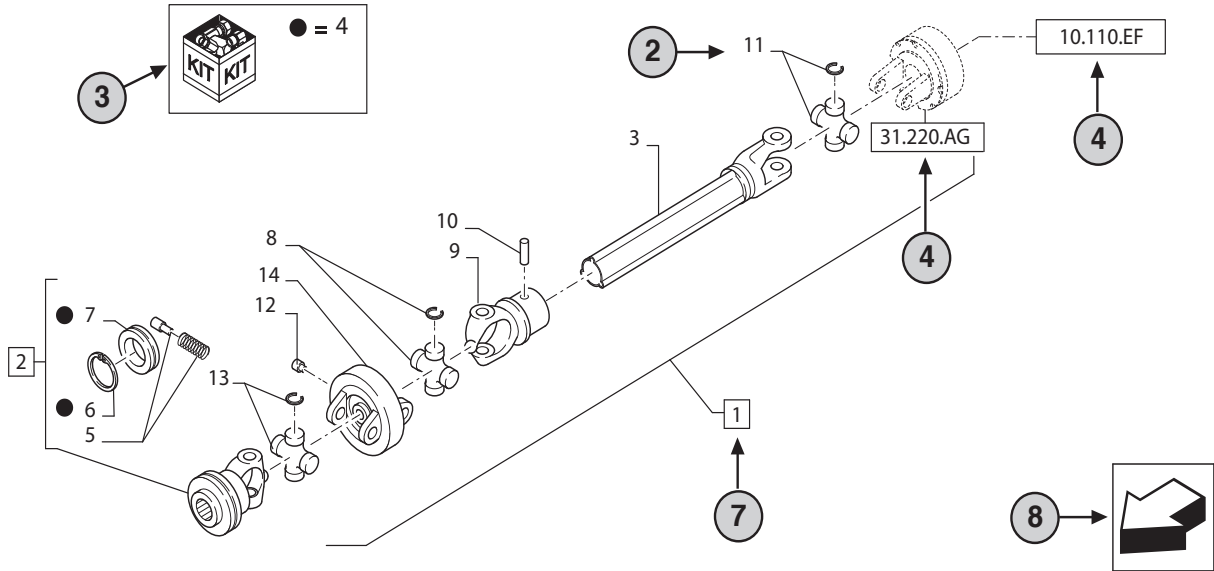
31.220.AD

01

p1

10/2014

VAR - 123782, 789101,987654 - PTO - D650



STANDARD ← 6

23

9

10

31.220.AD

01

p1

10/2014

VAR - 123782, 789101,987654 - PTO - D650

11


12

13

14

| REF | FN | PART NUMBER            | YR/SN | QTY | DESCRIPTION                                      |
|-----|----|------------------------|-------|-----|--|
| 1   | 1  | 86529340               | 20    | 1   | SHAFT PTO, Incl 2 - 11                           |
| 2   | 15 | 84014007               |       | 1   | YOKE, Incl 4 -7 ← 7                              |
| 3   | 16 | NSS                    |       | 1   | NOT SERVICED SEPARATELY, SHAFT, 350mm, Incl in 1 |
| 4   |    | 84004292               |       | 1   | KIT, Seal Kit, Incl 6, 7 ← 17                    |
| 4   |    | {84058743}             |       | 1   | KIT, Seal Kit, Incl 6, 7                         |
| 2   | 18 |                        | 21    |     |  |
|     | 19 |                        | 22    |     |  |
|     |    | 1 = FOR ITALY ONLY ← 5 |       |     |  |

MODELS ← 1

- 1 Model Number and Model Description
- 2 Reference - Figure call-out of the part number.
- 3 Parts supplied in repair kits per symbol reference.
- 4 31.220.AD Part illustrated on the **Page** or in the **Figure** indicated, or calls for **Variations** or **Details**. Indicates components shown in detail elsewhere in the catalogue under the figure number shown.
- 5 Footnote references
- 6 Figure notes
- 7 1 2 Includes item(s) ..... (See Description within partlist).
- 8 Orientation. (Arrow indicates front of the machine). 
- 9 Figure description.
- 10 General information of the figure.
- 11 Figure title number that aligns with the SRT. Standard Repair Time.
- 12 **Sequence** code within the assembly.
- 13 Page number within the sequence code.
- 14 **Date** of printing or updating of page (month-year).
- 15 **Note** - Relating to the Part Number. There is a key to symbols and abbreviations at the bottom of the text page.
- 16 Non-serviced parts.
- 17 Further description of the part to help confirm identification.
- 18 Not available as service part.
- 19 Part Number.
- 20 To be defined.
- 21 Total **Quantity** of the Part referred to in the page.  
The quantity can be replaced by the following indications:  
**AR** = quantity as requested.
- 22 Part **Description**.
- 23 Variant Codes

---

## TABLE OF CONTENTS

---

|           |    |   |
|-----------|----|---|
| 00.000.00 | 01 | PICTORIAL INDEX - MAIN SECTIONS                             |
| 00.000.00 | 02 | PICTORIAL INDEX - MAIN SECTIONS                             |
| 00.000.00 | 03 | PICTORIAL INDEX - MAIN SECTIONS                             |
| 00.000.00 | 04 | PICTORIAL INDEX - MAIN SECTIONS                             |
| 00.000.05 |    | PICTORIAL INDEX - SERVICE & MAINTENANCE                     |
| 00.000.10 | 01 | PICTORIAL INDEX - ENGINE                                    |
| 00.000.10 | 02 | PICTORIAL INDEX - ENGINE                                    |
| 00.000.18 |    | PICTORIAL INDEX - CLUTCH                                    |
| 00.000.21 | 01 | PICTORIAL INDEX - TRANSMISSION                              |
| 00.000.21 | 02 | PICTORIAL INDEX - TRANSMISSION                              |
| 00.000.21 | 03 | PICTORIAL INDEX - TRANSMISSION                              |
| 00.000.23 |    | PICTORIAL INDEX - FOUR WHEEL DRIVE SYSTEM                   |
| 00.000.25 | 01 | PICTORIAL INDEX - FRONT AXLE SYSTEM                         |
| 00.000.25 | 02 | PICTORIAL INDEX - FRONT AXLE SYSTEM                         |
| 00.000.25 | 03 | PICTORIAL INDEX - FRONT AXLE SYSTEM                         |
| 00.000.27 | 01 | PICTORIAL INDEX - REAR AXLE SYSTEM                          |
| 00.000.27 | 02 | PICTORIAL INDEX - REAR AXLE SYSTEM                          |
| 00.000.31 | 01 | PICTORIAL INDEX - IMPLEMENT POWER TAKE-OFF                  |
| 00.000.31 | 02 | PICTORIAL INDEX - IMPLEMENT POWER TAKE-OFF                  |
| 00.000.33 |    | PICTORIAL INDEX - BRAKES & CONTROLS                         |
| 00.000.35 | 01 | PICTORIAL INDEX - HYDRAULIC SYSTEMS                         |
| 00.000.35 | 02 | PICTORIAL INDEX - HYDRAULIC SYSTEMS                         |
| 00.000.35 | 03 | PICTORIAL INDEX - HYDRAULIC SYSTEMS                         |
| 00.000.37 |    | PICTORIAL INDEX - HITCHES, DRAWBARS AND IMPLEMENT COUPLINGS |
| 00.000.39 |    | PICTORIAL INDEX - FRAMES AND BALLASTING                     |
| 00.000.41 | 01 | PICTORIAL INDEX - STEERING                                  |
| 00.000.41 | 02 | PICTORIAL INDEX - STEERING                                  |
| 00.000.44 | 01 | PICTORIAL INDEX - WHEELS                                    |
| 00.000.44 | 02 | PICTORIAL INDEX - WHEELS                                    |
| 00.000.50 |    | PICTORIAL INDEX - CAB CLIMATE CONTROL                       |
| 00.000.55 | 01 | PICTORIAL INDEX - ELECTRICAL SYSTEMS                        |
| 00.000.55 | 02 | PICTORIAL INDEX - ELECTRICAL SYSTEMS                        |
| 00.000.55 | 03 | PICTORIAL INDEX - ELECTRICAL SYSTEMS                        |
| 00.000.55 | 04 | PICTORIAL INDEX - ELECTRICAL SYSTEMS                        |
| 00.000.55 | 05 | PICTORIAL INDEX - ELECTRICAL SYSTEMS                        |
| 00.000.55 | 06 | PICTORIAL INDEX - ELECTRICAL SYSTEMS                        |

---

## TABLE OF CONTENTS

---

|           |    |  |
|-----------|----|--|
| 00.000.82 |    | PICTORIAL INDEX - FRONT LOADER AND BUCKET            |
| 00.000.88 | 01 | PICTORIAL INDEX - ACCESSORIES                        |
| 00.000.88 | 02 | PICTORIAL INDEX - ACCESSORIES                        |
| 00.000.90 | 01 | PICTORIAL INDEX - PLATFORM, CAB, BODYWORK AND DECALS |
| 00.000.90 | 02 | PICTORIAL INDEX - PLATFORM, CAB, BODYWORK AND DECALS |
| 00.000.90 | 03 | PICTORIAL INDEX - PLATFORM, CAB, BODYWORK AND DECALS |
| 00.000.90 | 04 | PICTORIAL INDEX - PLATFORM, CAB, BODYWORK AND DECALS |
| 00.000.90 | 05 | PICTORIAL INDEX - PLATFORM, CAB, BODYWORK AND DECALS |
| 00.000.90 | 06 | PICTORIAL INDEX - PLATFORM, CAB, BODYWORK AND DECALS |
| 00.000.90 | 07 | PICTORIAL INDEX - PLATFORM, CAB, BODYWORK AND DECALS |
| 00.000.90 | 08 | PICTORIAL INDEX - PLATFORM, CAB, BODYWORK AND DECALS |
| 00.000.90 | 09 | PICTORIAL INDEX - PLATFORM, CAB, BODYWORK AND DECALS |
| 00.000.90 | 10 | PICTORIAL INDEX - PLATFORM, CAB, BODYWORK AND DECALS |
| 00.100.01 | 01 | IDENTIFICATION PLATES AND VERSION LIST               |
| 00.100.04 | 01 | OPTIONAL EQUIPMENT                                   |
| 00.100.04 | 02 | OPTIONAL EQUIPMENT                                   |
| 00.100.04 | 03 | OPTIONAL EQUIPMENT                                   |
| 00.100.04 | 04 | OPTIONAL EQUIPMENT                                   |
| 00.100.04 | 05 | OPTIONAL EQUIPMENT                                   |
| 05.000.00 |    | SECTION INDEX - SERVICE & MAINTENANCE                |
| 05.100.01 |    | INITIAL STOCKING LIST (LIST A)                       |
| 05.100.02 |    | INITIAL STOCKING LIST (LIST B)                       |
| 05.100.03 |    | CAPACITIES   |
| 05.100.04 | 01 | MAINTENANCE PARTS - FILTERS                          |
| 05.100.04 | 02 | MAINTENANCE PARTS - STARTER MOTOR, ALTERNATOR, BELTS |
| 05.100.04 | 03 | MAINTENANCE PARTS - FUSES                            |
| 05.100.04 | 04 | MAINTENANCE PARTS - BULBS                            |
| 05.100.04 | 04 | MAINTENANCE PARTS - BULBS                            |
| 05.100.04 | 05 | MAINTENANCE PARTS - PUMPS                            |
| 05.100.99 |    | INITIAL STOCKING LIST (LIST C)                       |
| 10.000.00 | 01 | SECTION INDEX - ENGINE                               |
| 10.000.00 | 02 | SECTION INDEX - ENGINE                               |
| 10.001.AD | 01 | VAR - 336839 - ENGINE, ASSY                          |
| 10.103.AH | 02 | ENGINE FLYWHEEL, SHUTTLE                             |
| 10.103.AH | 03 | ENGINE FLYWHEEL, POWERSHUTTLE                        |
| 10.202.AB | 01 | VAR - 390200 - AIR CLEANER ASSY, CARTRIDGE           |

---

## TABLE OF CONTENTS

---

|           |     |  |
|-----------|-----|--|
| 10.202.AB | 02  | VAR - 390200 - AIR CLEANER, VALVE  |
| 10.202.AD |     | VAR - 390200 - AIR CLEANER, LINE   |
| 10.202.AH |     | VAR - 390200 - AIR CLEANER, SUPPORT  |
| 10.206.AG |     | VAR - 743543, 744574 - FUEL FILTER, COMPONENTS   |
| 10.216.AI | 01  | VAR - 743543, 744574 - FUEL TANK   |
| 10.216.AI | 02  | VAR - 743543, 744574 - FUEL TANK, SUPPORT  |
| 10.216.AI | 03  | VAR - 743543, 744574 - FUEL TANK, PROTECTION PLATE   |
| 10.216.AI | 04  | VAR - 743543, 744574 - FUEL TANK, GUARD  |
| 10.216.BA |     | VAR - 743543, 744574 - FUEL TANK, LINE   |
| 10.254.AD | 01  | VAR - 391151 - VERTICAL EXHAUST, EXHAUST PIPE, W/O CAB   |
| 10.254.AD | 02  | VAR - 743545 - VERTICAL EXHAUST, EXHAUST PIPE - C9165  |
| 10.254.AD | 02A | VAR - 743545 - VERTICAL EXHAUST, EXHAUST PIPE - D9165  |
| 10.254.AI | 01  | VAR - 391151, 743544, 743545 - EXHAUST SYSTEM, MUFFLER   |
| 10.254.AI | 02  | VAR - 743593 - EXHAUST SYSTEM W/ MUFFLER, SHIELD, W/O FRONT LOADER   |
| 10.254.AI | 03  | VAR - 336914, 336732, 336734, 336736, 336740, 336742, 336744, 336746 - EXHAUST SYSTEM W/ MUFFLER, SHIELD, W/O FRONT LOADER |
| 10.310.AA |     | VAR - 336839 - AFTERCOOLER   |
| 10.310.AB |     | VAR - 336839 - AFTERCOOLER LINE  |
| 10.400.AK |     | VAR - 336839 - EXPANSION TANK, HOSE  |
| 10.400.AP |     | VAR - 336839 - RADIATOR HOSE   |
| 10.400.BE |     | VAR - 336839 - RADIATOR  |
| 10.400.BF | 01  | VAR - 390018 - RADIATOR, FAN, SHROUD   |
| 10.400.BF | 02  | VAR - 390200 - RADIATOR, FRAME, CONVEYOR - C7536   |
| 10.400.BF | 02A | VAR - 390200 - RADIATOR, FRAME, CONVEYOR - D7536   |
| 10.400.BF | 03  | VAR - 334216, 334218 - RADIATOR FAN SHROUD, SUPPORT  |
| 10.400.BH | 01  | VAR - 336839 - EXPANSION TANK  |
| 10.400.BH | 02  | VAR - 390200 - EXPANSION TANK, SUPPORT   |
| 10.414.AC |     | VAR - 390018 - ENGINE, FAN   |
| 10.414.AD |     | VAR - 390018 - ENGINE, FAN, PULLEY   |
| 10.414.BE | 01  | VAR - 390018 - ENGINE, BELT  |
| 10.414.BE | 02  | VAR - 390018 - ENGINE, BELT, W/O CAB   |
| 10.500.AA |     | VAR - 743543, 744574 - DEF/ADBLUE™ TANK  |
| 10.500.AD | 01  | VAR - 743543, 744574 - DEF/ADBLUE™, LINE   |
| 10.500.AD | 02  | VAR - 743543, 744574 - DEF/ADBLUE™, LINE   |
| 10.500.AO | 01  | VAR - 391151, 743544, 743545 - EXHAUST SYSTEM, DOC - DIESEL OXIDATION CATALYST, CAB  |
| 10.500.AO | 01  | VAR - 743544, 743545 - EXHAUST SYSTEM, DOC - DIESEL OXIDATION CATALYST, W/O CAB  |
| 10.500.AO | 02  | VAR - 391151, 743544, 743545 - EXHAUST SYSTEM, DOC - DIESEL OXIDATION CATALYST, SUPPORT                                    |

---

**TABLE OF CONTENTS**

---

|           |    |  |
|-----------|----|--|
| 18.000.00 |    | <b>SECTION INDEX - CLUTCH</b>  |
| 18.100.AF | 01 | <b>VAR - 390067, 743546, 744576 - CLUTCH, PEDAL, FLEXIBLE CONTROL (8X8) (12X12) (12X12 CREEPER)</b>  |
| 18.100.AF | 02 | <b>VAR - 330276, 334176 - CLUTCH, PEDAL, FLEXIBLE CONTROL (12X12) (12X12 CREEPER)</b>  |
| 18.100.AN | 01 | <b>VAR - 743565, 743566, 743594 - PTO CLUTCH, CONTROL LEVER, W/O CAB</b>   |
| 18.100.AN | 02 | <b>VAR - 743565, 743566, 743594 - PTO CLUTCH, CONTROL LEVER, CAB</b>   |
| 18.100.AQ | 01 | <b>VAR - 743565, 743566, 743594 - PTO CLUTCH, CABLE, W/O CAB</b>   |
| 18.100.AQ | 02 | <b>VAR - 743565, 743566, 743594 - PTO CLUTCH, CABLE, CAB</b>   |
| 18.100.AQ | 03 | <b>VAR - 743565, 743566, 743594 - PTO CLUTCH, FLEXIBLE CONTROL, SUPPORT, CAB</b>   |
| 18.100.AR | 01 | <b>VAR - 336842, 390067, 743546, 744576 - PTO CLUTCH, THRUST BEARING, SLEEVE, (8X8) (12X12) (12X12 CREEPER) (24X24 ECO SPEED), W/O CAB</b>     |
| 18.100.AR | 02 | <b>VAR - 336842, 390067, 743546, 744576 - PTO CLUTCH, THRUST BEARING, SLEEVE, (8X8) (12X12) (12X12 CREEPER) (24X24 ECO SPEED), CAB</b>         |
| 18.104.AM | 01 | <b>PTO CLUTCH, VALVE, CAB</b>  |
| 18.104.AM | 02 | <b>PTO CLUTCH, VALVE, COMPONENTS, CAB</b>  |
| 18.104.AS | 01 | <b>PTO CLUTCH, CYLINDER, CAB</b>   |
| 18.104.AS | 02 | <b>PTO CLUTCH, CYLINDER, COMPONENTS, CAB</b>   |
| 18.110.AB | 02 | <b>VAR - 390067, 743546, 744576 - CLUTCH (8X8) (12X12) (12X12 CREEPER)</b>   |
| 18.112.AC |    | <b>VAR - 330276, 334176, 334177, 336843, 336852, 336854, 390275 - ENGINE FLYWHEEL, DAMPER (8X8) (12X12) (12X12 CREEPER)</b>                    |
| 21.000.00 | 01 | <b>SECTION INDEX - TRANSMISSION</b>  |
| 21.000.00 | 02 | <b>SECTION INDEX - TRANSMISSION</b>  |
| 21.000.00 | 03 | <b>SECTION INDEX - TRANSMISSION</b>  |
| 21.100.AM | 01 | <b>VAR - 336842, 390067, 743546, 744576 - TRANSMISSION LUBRICATION LINE, INTERNAL</b>  |
| 21.100.AM | 02 | <b>VAR - 330276, 334176, 334177, 390275 - TRANSMISSION LUBRICATION LINE, INTERNAL (12X12) (12X12 CREEPER) (24X24) (24X24 CREEPER)</b>          |
| 21.104.AD | 01 | <b>VAR - 330581, 390328, 743559 - LUBRICATION LINE, W/ MECHANICAL ENGAGEMENT, W/O CAB</b>  |
| 21.104.AD | 02 | <b>VAR - 330581, 390228, 743559 - LUBRICATION LINE, W/ MECHANICAL ENGAGEMENT, CAB</b>  |
| 21.104.AD | 03 | <b>VAR - 744580, 744581, 744990 - LUBRICATION LINE, W/ ELECTROHYDRAULIC ENGAGEMENT</b>   |
| 21.104.AP | 01 | <b>VAR - 330276, 334176, 334177, 390275 - TRANSMISSION, POWERSHUTTLE, HYDRAULIC OIL FILTER (12X12) (12X12 CREEPER) (24X24) (24X24 CREEPER)</b> |
| 21.104.AR |    | <b>VAR - 330581, 390328, 743559, 744580, 744581, 744990 - TRANSMISSION LUBRICATION LINE</b>  |
| 21.104.AS | 01 | <b>TRANSMISSION, POWERSHUTTLE, RETURN PIPE</b>   |
| 21.109.AD | 01 | <b>VAR - 743524 - TRANSMISSION OIL, COOLER, LINE, PIPE</b>   |
| 21.109.AD | 03 | <b>VAR - 743524 - TRANSMISSION OIL, COOLER, LINE, PIPE</b>   |
| 21.109.AK |    | <b>VAR - 743524 - OIL COOLER</b>   |
| 21.118.AF | 01 | <b>VAR - 330581 - TRANSMISSION, DRIVE, HOUSING, 2WD</b>  |
| 21.118.AF | 02 | <b>VAR - 330581, 390328, 743559 - TRANSMISSION, DRIVE, HOUSING</b>   |
| 21.118.AF | 03 | <b>VAR - 390328, 743559, 744580, 744581, 744990 - TRANSMISSION, DRIVE, HOUSING, 4WD</b>  |
| 21.118.AF | 04 | <b>VAR - 744580, 744581, 744990 - TRANSMISSION, DRIVE, HOUSING, 4WD</b>  |
| 21.118.AF | 06 | <b>VAR - 330581, 337323, 390328, 743559, 743560, 744580, 744581, 744990 - TRANSMISSION, DRIVE, HOUSINGBRACKET</b>                              |

---

TABLE OF CONTENTS

---

|           |     |   |
|-----------|-----|---|
| 21.120.AB | 01  | GEARBOX, HOUSING  |
| 21.120.AB | 02  | GEARBOX, MOUNTING PARTS   |
| 21.120.AB | 03  | GEARBOX, HOUSING, BRACKET   |
| 21.120.AB | 04  | GEARBOX, HOUSING  |
| 21.120.AB | 05  | GEARBOX, HOUSING, BRACKET   |
| 21.130.BC | 01  | VAR - 390067, 743546, 744576 - TRANSMISSION, SHUTTLE, CONTROL LEVER, GEARSHIFT (8X8) (12X12) (12X12 CREEPER)                  |
| 21.130.BC | 02  | VAR - 390067 - TRANSMISSION, SHUTTLE, CONTROL LEVER, GEARSHIFT (8X8) - END YR 30-APR-2015                                     |
| 21.130.BC | 02A | VAR - 390067 - TRANSMISSION, SHUTTLE, CONTROL LEVER, GEARSHIFT (8X8) - BEGIN YR 01-MAY-2015                                   |
| 21.130.BC | 03  | VAR - 743546, 744576 - TRANSMISSION, SHUTTLE, CONTROL LEVER, GEARSHIFT (12X12) (12X12 CREEPER) - END YR 30-APR-2015           |
| 21.130.BC | 03A | VAR - 743546, 744576, 743551 - TRANSMISSION, SHUTTLE, CONTROL LEVER, GEARSHIFT (12X12) (12X12 CREEPER) - BEGIN YR 01-MAY-2015 |
| 21.130.BC | 04  | VAR - 759176 - MECHANICAL, TRANSMISSION, GEARSHIFT, CONTROL LEVER, SELECTOR, SPEED CHANGE LEVER                               |
| 21.130.BC | 05  | VAR - 759176 - MECHANICAL, TRANSMISSION, GEARSHIFT, CONTROL LEVER, SELECTOR, RANGE GEAR                                       |
| 21.130.BC | 06  | VAR - 759176 - MECHANICAL, TRANSMISSION, GEARSHIFT, CONTROL LEVER, SELECTOR, RANGE GEAR, COMPONENTS                           |
| 21.134.AI | 01  | VAR - 330276, 334176, 743551 - TRANSMISSION, POWERSHUTTLE, CONTROL LEVER, GEARSHIFT (12X12) (12X12 CREEPER)                   |
| 21.134.AI | 02  | VAR - 330276, 334176 - TRANSMISSION, POWERSHUTTLE, CONTROL LEVER, GEARSHIFT (12X12) (12X12 CREEPER) - END YR 30-APR-2015      |
| 21.134.AI | 02A | VAR - 330276, 334176 - TRANSMISSION, POWERSHUTTLE, CONTROL LEVER, GEARSHIFT (12X12) (12X12 CREEPER) - BEGIN YR 01-MAY-2015    |
| 21.134.AM | 01  | TRANSMISSION CONTROL VALVE, POWERSHUTTLE  |
| 21.134.AM | 02  | TRANSMISSION CONTROL VALVE, POWERSHUTTLE, COMPONENTS  |
| 21.134.AM | 03  | TRANSMISSION CONTROL VALVE, POWERSHUTTLE, COMPONENTS  |
| 21.134.AM | 04  | TRANSMISSION CONTROL VALVE, POWERSHUTTLE, COMPONENTS  |
| 21.134.AM | 05  | TRANSMISSION CONTROL VALVE, POWERSHUTTLE, COMPONENTS  |
| 21.134.AM | 06  | VAR - 340101, 340102, 340103 - TRANSMISSION CONTROL VALVE, POWERSHUTTLE, LINE   |
| 21.140.AE | 01  | VAR - 390067, 743546 - TRANSMISSION, SHUTTLE, SHAFT & GEAR (8X8) (12X12)  |
| 21.140.AE | 02  | VAR - 390067, 743546 - TRANSMISSION, SHUTTLE, SHAFT & GEAR (8X8) (12X12)  |
| 21.140.AE | 03  | VAR - 340062 - TRANSMISSION, SHUTTLE, SHAFT & GEAR (12X12 CREEPER)  |
| 21.140.AE | 04  | VAR - 744576 - TRANSMISSION, SHUTTLE, SHAFT & GEAR (12X12 CREEPER)  |
| 21.140.AE | 05  | VAR - 336842 - TRANSMISSION, SHUTTLE, SHAFT & GEAR (24X24 ECO SPEED)  |
| 21.148.AA | 01  | VAR - 390067, 743546, 744576 - TRANSMISSION, REAR, SYNCHRONIZER (8X8) (12X12) (12X12 CREEPER)                                 |
| 21.148.AA | 03  | VAR - 336842 - TRANSMISSION, REAR, SYNCHRONIZER (24X24 ECO SPEED)   |
| 21.148.AQ | 01  | TRANSMISSION, REAR, DRIVE SHAFT, GEAR, SHUTTLE, 4WD   |
| 21.148.AQ | 02  | TRANSMISSION, REAR, DRIVE SHAFT, GEAR, SHUTTLE, 2WD   |
| 21.148.AQ | 03  | TRANSMISSION, REAR, DRIVE SHAFT, GEAR (12X12)   |
| 21.154.AA | 01  | VAR - 330276, 334176 - TRANSMISSION, POWERSHUTTLE, CLUTCH HOUSING, CLUTCH DISC (12X12) (12X12 CREEPER)                        |
| 21.154.AA | 02  | VAR - 330276, 334176 - TRANSMISSION, POWERSHUTTLE, CLUTCH HOUSING, CLUTCH DISC (12X12) (12X12 CREEPER)                        |



---

## TABLE OF CONTENTS

---

|           |    |   |
|-----------|----|---|
| 21.154.AA | 03 | VAR - 330276, 334176 - TRANSMISSION, POWERSHUTTLE, CLUTCH HOUSING, CLUTCH DISC (12X12) (12X12 CREEPER)                  |
| 21.154.AA | 04 | VAR - 336843 - TRANSMISSION, POWERSHUTTLE, CLUTCH HOUSING, CLUTCH DISC (24X24 ECO SPEED)                                |
| 21.154.AA | 05 | VAR - 336843 - TRANSMISSION, POWERSHUTTLE, CLUTCH HOUSING, CLUTCH DISC (24X24 ECO SPEED)                                |
| 21.154.AO | 01 | VAR - 330276 - TRANSMISSION, POWERSHUTTLE, GEARS & SHAFT (12X12)  |
| 21.154.AO | 02 | VAR - 334176 - TRANSMISSION, POWERSHUTTLE, GEARS & SHAFT (12X12) (CREEPER)  |
| 21.154.AO | 03 | VAR - 330276 - TRANSMISSION, POWERSHUTTLE, GEARS & SHAFT (12X12)  |
| 21.154.AO | 04 | VAR - 334176 - TRANSMISSION, POWERSHUTTLE, GEARS & SHAFT (12X12 CREEPER)  |
| 21.154.AO | 05 | VAR - 336843 - TRANSMISSION, POWERSHUTTLE, GEARS & SHAFT (24X24 ECO SPEED)  |
| 21.160.AI | 01 | VAR - 340110, 340111, 340112, 340113 - CREEPER, CONTROL LEVER, CAB  |
| 21.160.AI | 02 | VAR - 340110, 340111, 340112, 340113 - CREEPER, CONTROL LEVER, W/O CAB  |
| 21.160.AI | 03 | VAR - 390328, 743559 - CREEPER, CONTROL LEVER, CAB  |
| 21.160.AI | 04 | VAR - 390328, 743559 - CREEPER, CONTROL LEVER, W/O CAB  |
| 21.160.AI | 05 | VAR - 334176, 744576 - CREEPER, CONTROL LEVER, CAB  |
| 21.160.AI | 06 | VAR - 334176, 744576 - CREEPER, CONTROL LEVER, W/O CAB  |
| 21.160.AI | 07 | VAR - 336842, 336843 - CREEPER, CONTROL LEVER, CAB  |
| 21.160.AI | 08 | VAR - 336842, 336843 - CREEPER, CONTROL LEVER, W/O CAB  |
| 21.160.AK | 01 | VAR - 334176, 744576 - TRANSMISSION, CENTRAL REDUCTION GEAR, CONTROLS (12X12 CREEPER)                                   |
| 21.162.AD | 01 | VAR - 390067, 743546, 744576 - TRANSMISSION, CONTROL LEVER, REVERSER (8X8) (12X12) (12X12 CREEPER)                      |
| 21.162.AD | 02 | VAR - 330276, 334176 - TRANSMISSION, POWERSHUTTLE, CONTROL LEVER, REVERSER (12X12) (12X12 CREEPER)                      |
| 21.162.AD | 03 | VAR - 390067, 743546, 744576 - TRANSMISSION, CONTROL LEVER, REVERSER, COMPONENTS (8X8) (12X12) (12X12 CREEPER)          |
| 21.162.AD | 04 | VAR - 330276, 334176 - TRANSMISSION, POWERSHUTTLE, CONTROL LEVER, REVERSER, COMPONENTS (12X12) (12X12 CREEPER)          |
| 21.162.AE |    | VAR - 336842, 390067, 743546, 744576 - TRANSMISSION, REVERSER, CONTROLS (8X8) (12X12) (12X12 CREEPER) (24X24 ECO SPEED) |
| 21.200.AA | 01 | VAR - 330581, 743551 - DROP BOX, 2WD  |
| 21.200.AA | 02 | VAR - 390328, 743559 - DROP BOX, W/ MECHANICAL ENGAGEMENT, 4WD  |
| 21.200.AA | 03 | VAR - 337323, 743560, 744580, 744581, 744990 - DROP BOX, W/ ELECTROHYDRAULIC ENGAGEMENT, 4WD                            |
| 21.200.AA | 04 | VAR - 759176 - DROP BOX, 2WD  |
| 21.200.AA | 05 | VAR - 759176 - DROP BOX, 4WD  |
| 21.507.AJ | 01 | VAR - 390067 - TRANSMISSION, GEARSHIFT, FORK, SHIFT RAIL (8X8)  |
| 21.507.AJ | 02 | VAR - 330276, 334176, 743546, 744576 - TRANSMISSION, GEARSHIFT, FORK, SHIFT RAIL (12X12) (12X12 CREEPER)                |
| 21.507.AJ | 03 | VAR - 759176 - TRANSMISSION, FORK, HAND BRAKE, SPACER   |
| 23.000.00 |    | SECTION INDEX - FOUR WHEEL DRIVE SYSTEM   |
| 23.101.AF | 01 | VAR - 330581, 743551 - DRIVE, GEAR, 2WD   |
| 23.101.AF | 02 | VAR - 390328, 743559 - GEAR, W/ MECHANICAL ENGAGEMENT, 4WD  |
| 23.101.AL |    | VAR - 390328, 743559 - LEVER, W/ MECHANICAL ENGAGEMENT, 4WD   |

---

## TABLE OF CONTENTS

---

|           |    |  |
|-----------|----|--|
| 23.202.AI | 01 | VAR - 337323, 743560, 744580, 744581, 744990, 743551 - GEAR, W/ ELECTROHYDRAULIC ENGAGEMENT, 4WD                               |
| 23.202.AI | 02 | VAR - 759176 - FRONT, WHEEL, DRIVE, GEAR, 4WD  |
| 23.202.AN | 01 | VAR - 337323, 743560, 744580, 744581, 744990 - TRANSMISSION, LINE, W/ ELECTROHYDRAULIC ENGAGEMENT, 4WD                         |
| 23.314.AH | 01 | VAR - 743558 - 4WD FRONT AXLE, DRIVE SHAFT   |
| 23.314.AH | 02 | VAR - 743558 - 4WD DRIVE SHAFT, FRONT, GUARD   |
| 25.000.00 | 01 | SECTION INDEX - FRONT AXLE SYSTEM  |
| 25.000.00 | 02 | SECTION INDEX - FRONT AXLE SYSTEM  |
| 25.000.00 | 03 | SECTION INDEX - FRONT AXLE SYSTEM  |
| 25.100.AD | 01 | VAR - 390328, 743559, 744580, 744990 - FRONT AXLE, HOUSING, W/ MECHANICAL ENGAGEMENT, 4WD                                      |
| 25.100.AD | 02 | VAR - 744581 - FRONT AXLE, HOUSING, W/ MECHANICAL ENGAGEMENT, 4WD  |
| 25.100.AN | 01 | VAR - 334218 - 4WD FRONT AXLE, SUPPORT, BRACKET  |
| 25.100.AN | 02 | VAR - 334216 - 4WD FRONT AXLE, SUPPORT, BRACKET  |
| 25.100.AV | 01 | VAR - 334218 - 4WD FRONT AXLE, SUPPORT   |
| 25.100.AV | 02 | VAR - 743524 -HYDRAULIC OIL COOLER LINE, PIPE, SUPPORT   |
| 25.100.AV | 03 | VAR - 334216 - 4WD FRONT AXLE, SUPPORT   |
| 25.100.AV | 04 | VAR - 743593 - FRONT AXLE, SUPPORT, ENGINE, MOUNTING, W/O FRONT LOADER   |
| 25.100.AV | 05 | VAR - 336914, 336732, 336734, 336736, 336740, 336742, 336744, 336746 - FRONT AXLE, SUPPORT, ENGINE, MOUNTING, W/O FRONT LOADER |
| 25.102.AC | 01 | VAR - 390328, 743559, 744580, 744990 - FRONT AXLE, DIFFERENTIAL, CARRIER, 4WD  |
| 25.102.AC | 02 | VAR - 390328, 743559, 744580, 744990 - FRONT AXLE, BEVEL GEAR, 4WD   |
| 25.102.AC | 03 | VAR - 390328, 337323, 743559, 743560, 744580, 744581, 744990 - FRONT AXLE, SHIM KIT, 4WD                                       |
| 25.102.AC | 04 | VAR - 390328, 337323, 743559, 743560, 744580, 744581, 744990 - FRONT AXLE, SHIM KIT, 4WD                                       |
| 25.102.AC | 05 | VAR - 744580 - FRONT AXLE, BEVEL GEAR, 4WD   |
| 25.102.AC | 06 | VAR - 744581 - FRONT AXLE, DIFFERENTIAL, CARRIER, 4WD, HEAVY DUTY  |
| 25.102.AC | 08 | VAR - 744581 - FRONT AXLE, BEVEL GEAR, W/ ELECTROHYDRAULIC ENGAGEMENT, 4WD, HEAVY DUTY   |
| 25.102.AD | 01 | VAR - 390328, 744990 - FRONT AXLE, DIFFERENTIAL GEAR, W/ MECHANICAL ENGAGEMENT, 4WD  |
| 25.102.AE | 01 | VAR - 743559, 744580, 744581 - LIMITED SLIP DIFFERENTIAL, 4WD  |
| 25.102.AE | 02 | VAR - 743559, 744580, 744581 - LIMITED SLIP DIFFERENTIAL, COMPONENTS, 4WD  |
| 25.108.AA | 01 | VAR - 390328, 743559, 744580, 744990 - FRONT AXLE, SHAFT, 4WD  |
| 25.108.AA | 02 | VAR - 744581 - FRONT AXLE, SHAFT, W/ ELECTROHYDRAULIC ENGAGEMENT, 4WD, HEAVY DUTY  |
| 25.108.AA | 05 | VAR - 390328, 743559, 744580, 744990 - FRONT AXLE, COMPONENTS  |
| 25.108.AA | 06 | VAR - 744581 - FRONT AXLE, COMPONENTS  |
| 25.108.AB | 01 | VAR - 390328, 743559, 744580, 744990 - FRONT AXLE, PLANETARY REDUCER, 4WD  |
| 25.108.AB | 02 | VAR - 744581 - FRONT AXLE, PLANETARY REDUCER, W/ ELECTROHYDRAULIC ENGAGEMENT, 4WD, HEAVY DUTY                                  |
| 25.108.AG | 01 | VAR - 390328, 743559, 744580, 744990 - FRONT AXLE, STEERING KNUCKLE, 4WD   |
| 25.108.AG | 02 | VAR - 337323, 744581 - FRONT AXLE, STEERING KNUCKLE, W/ ELECTROHYDRAULIC ENGAGEMENT, 4WD, HEAVY DUTY - END YR 13-JUN-2016      |

---

## TABLE OF CONTENTS

---

|           |     |   |
|-----------|-----|---|
| 25.108.AG | 02A | VAR - 337323, 744581 - FRONT AXLE, STEERING KNUCKLE, W/ ELECTROHYDRAULIC ENGAGEMENT, 4WD, HEAVY DUTY - BEGIN YR 14-JUN-2016 |
| 25.108.AN | 01  | VAR - 390328, 743559, 744580, 744990 - FRONT AXLE, STEERING KNUCKLE, HUB, 4WD   |
| 25.108.AN | 02  | VAR - 744581 - FRONT AXLE, STEERING KNUCKLE, HUB, W/ ELECTROHYDRAULIC ENGAGEMENT, 4WD, HEAVY DUTY                           |
| 25.108.AN | 05  | VAR - 337323, 390328, 743559, 743560, 744580, 744581, 744990 - FRONT AXLE, WHEEL BOLT, 4WD                                  |
| 25.108.AN | 06  | VAR - 337323, 390328, 743559, 743560, 744580, 744581, 744990 - FRONT AXLE, WHEEL BOLT, 2WD                                  |
| 25.400.AD | 01  | VAR - 330581 - FRONT AXLE, EXTENSION, 2WD   |
| 25.400.AD | 02  | VAR - 330581 - FRONT AXLE, EXTENSION, 2WD, HEAVY DUTY   |
| 25.400.AF | 01  | VAR - 334216 - 2WD FRONT AXLE, SUPPORT  |
| 25.400.AF | 02  | VAR - 334218 - 2WD FRONT AXLE, SUPPORT  |
| 25.400.AH | 01  | VAR - 330581 - FRONT AXLE, HUB, 2WD   |
| 25.400.AH | 02  | VAR - 330581 - FRONT AXLE, HUB, 2WD, HEAVY DUTY   |
| 25.400.AL | 01  | VAR - 334216 - 2WD FRONT AXLE, SUPPORT, BRACKET   |
| 25.400.AL | 02  | VAR - 334218 - 2WD FRONT AXLE, SUPPORT, BRACKET   |
| 25.400.AM | 01  | VAR - 330581 - FRONT AXLE, BODY, 2WD  |
| 25.400.AM | 02  | VAR - 330581 - FRONT AXLE, BODY, 2WD, HEAVY DUTY  |
| 25.400.AQ | 01  | VAR - 330581 - FRONT AXLE, STEERING KNUCKLE, 2WD  |
| 25.400.AQ | 02  | VAR - 330581 - FRONT AXLE, STEERING KNUCKLE, 2WD, HEAVY DUTY  |
| 27.000.00 | 01  | SECTION INDEX - REAR AXLE SYSTEM  |
| 27.000.00 | 02  | SECTION INDEX - REAR AXLE SYSTEM  |
| 27.106.AA | 01  | VAR - 743507 - REAR AXLE, BEVEL GEAR, BEVEL PINION (30KM/H)   |
| 27.106.AA | 02  | VAR - 743507 - REAR AXLE, BEVEL GEAR, BEVEL PINION, W/ HEAVY DUTY AXLE, W/ 34" TIRES (30KM/H)                               |
| 27.106.AA | 03  | VAR - 743552 - REAR AXLE, BEVEL GEAR, BEVEL PINION, W/ HEAVY DUTY AXLE, W/ 34" TIRES (40KM/H)                               |
| 27.106.AA | 04  | VAR - 743552 - REAR AXLE, BEVEL GEAR, BEVEL PINION (40KM/H)   |
| 27.106.AA | 05  | VAR - 743552 - REAR AXLE, BEVEL GEAR, BEVEL PINION, W/ HEAVY DUTY AXLE, W/ 30" TIRES (40KM/H)                               |
| 27.106.AC | 01  | VAR - 390411 - REAR AXLE, DIFFERENTIAL, 2WD, 4WD  |
| 27.106.AC | 02  | VAR - 333411 - REAR AXLE, DIFFERENTIAL, HEAVY DUTY, 2WD, 4WD  |
| 27.106.AK | 01  | VAR - 390381 - MECHANICAL DIFFERENTIAL LOCK, FORK   |
| 27.106.AK | 02  | VAR - 390381 - MECHANICAL DIFFERENTIAL LOCK, FORK   |
| 27.106.AL |     | VAR - 390381 - MECHANICAL DIFFERENTIAL LOCK, PEDAL  |
| 27.106.AM |     | VAR - 390381 - MECHANICAL DIFFERENTIAL LOCK, CONTROLS, SUPPORT  |
| 27.106.AR | 01  | VAR - 390411 - REAR AXLE, DIFFERENTIAL, HOUSING, SUPPORT, 2WD, 4WD  |
| 27.106.AR | 02  | VAR - 333411 - REAR AXLE, DIFFERENTIAL, HOUSING, SUPPORT, HEAVY DUTY, 2WD, 4WD  |
| 27.120.AF | 01  | VAR - 390411 - REAR AXLE, FINAL DRIVE, SHAFT, PLANETARY GEAR, 2WD, 4WD  |
| 27.120.AF | 03  | VAR - 333411 - REAR AXLE, FINAL DRIVE, SHAFT, PLANETARY GEAR, HEAVY DUTY, 2WD, 4WD  |
| 27.120.AI | 01  | VAR - 390411 - REAR AXLE, FINAL DRIVE, AXLE HOUSING, 2WD, 4WD, LH   |

---

## TABLE OF CONTENTS

---

|           |    |   |
|-----------|----|---|
| 27.120.AI | 02 | VAR - 390411 - REAR AXLE, FINAL DRIVE, AXLE HOUSING, 2WD, 4WD, RH                         |
| 27.120.AI | 05 | VAR - 333411 - REAR AXLE, FINAL DRIVE, AXLE HOUSING, HEAVY DUTY, 2WD, 4WD, LH             |
| 27.120.AI | 06 | VAR - 333411 - REAR AXLE, FINAL DRIVE, AXLE HOUSING, HEAVY DUTY, 2WD, 4WD, RH             |
| 31.000.00 | 01 | SECTION INDEX - IMPLEMENT POWER TAKE OFF  |
| 31.000.00 | 02 | SECTION INDEX - IMPLEMENT POWER TAKE OFF  |
| 31.101.AC | 01 | VAR - 337323, 743560, 743565, 743566, 743594, 744580, 744581, 744990 - PTO, CONTROL LEVER |
| 31.101.AC | 02 | VAR - 390328, 743559 - PTO, CONTROL LEVER, 4WD  |
| 31.101.AC | 03 | VAR - 743565, 743594 - PTO 540/1000 RPM, CONTROL LEVER, PLUGS, CAB                        |
| 31.101.AC | 04 | VAR - 743566 - PTO 540-540E RPM, CONTROL LEVER, W/O CAB                                   |
| 31.101.AC | 05 | VAR - 743566 - PTO 540-540E RPM, CONTROL LEVER, BRACKET                                   |
| 31.101.AC | 06 | VAR - 743566 - PTO 540-540E RPM, CONTROL LEVER, CAB                                       |
| 31.104.AN | 01 | PTO CLUTCH, OIL LINE, CAB   |
| 31.104.AN | 02 | PTO CLUTCH, OIL LINE, BRACKET, CAB  |
| 31.104.AR | 01 | VAR - 330581, 390328, 743559 - PTO, CONTROL VALVE   |
| 31.104.AR | 02 | VAR - 330581, 390328, 743559 - PTO, CONTROL VALVE   |
| 31.104.AR | 03 | VAR - 744580, 744581, 744990 - PTO, CONTROL VALVE, 4WD                                    |
| 31.104.AR | 04 | VAR - 744580, 744581, 744990 - PTO, CONTROL VALVE, 4WD                                    |
| 31.110.AB | 01 | VAR - 743565 - PTO 540 RPM, DRIVEN SHAFT, SHUTTLE   |
| 31.110.AB | 03 | VAR - 743565 - PTO 540 RPM, DRIVEN SHAFT, POWERSHUTTLE                                    |
| 31.110.AH | 01 | VAR - 743565 - PTO 540 RPM, FRONT, DRIVE SHAFT, SHUTTLE                                   |
| 31.110.AH | 03 | VAR - 743565 - PTO 540 RPM, FRONT, DRIVE SHAFT, POWERSHUTTLE                              |
| 31.110.AI | 01 | VAR - 743565 - PTO 540 RPM, COVER, SHUTTLE  |
| 31.110.AI | 03 | VAR - 743565 - PTO 540 RPM, COVER, POWERSHUTTLE   |
| 31.110.AI | 04 | VAR - 743565 - PTO 540 RPM, COVER, PLUG   |
| 31.110.AI | 05 | VAR - 392905 - PTO, PROTECTION  |
| 31.110.AI | 06 | VAR - 743565, 743566, 743594 - PTO, PROTECTION, MOUNTING                                  |
| 31.110.AI | 07 | VAR - 743565, 743566, 743594 - PTO, PROTECTION, MOUNTING                                  |
| 31.110.AP | 01 | VAR - 743565 - PTO 540 RPM, OUTPUT SHAFT, SHUTTLE   |
| 31.110.AP | 03 | VAR - 743565 - PTO 540 RPM, OUTPUT SHAFT, POWERSHUTTLE                                    |
| 31.110.AR | 01 | VAR - 743565 - PTO 540 RPM, GEAR, SHUTTLE   |
| 31.110.AR | 03 | VAR - 743565 - PTO 540 RPM, GEAR, POWERSHUTTLE  |
| 31.114.AB | 01 | VAR - 743566 - PTO 540 RPM, DRIVEN SHAFT, SHUTTLE   |
| 31.114.AB | 02 | VAR - 743566 - PTO 540 RPM, DRIVEN SHAFT, FORK, SHUTTLE                                   |
| 31.114.AB | 04 | VAR - 743566 - PTO 540 RPM, DRIVEN SHAFT, POWERSHUTTLE                                    |
| 31.114.AB | 05 | VAR - 743566 - PTO 540 RPM, DRIVEN SHAFT, FORK, POWERSHUTTLE                              |
| 31.114.AB | 10 | VAR - 743594 - PTO 540/1000 RPM, DRIVEN SHAFT, SHUTTLE                                    |

---

## TABLE OF CONTENTS

---

|           |     |   |
|-----------|-----|---|
| 31.114.AB | 11  | VAR - 743594 - PTO 540/1000 RPM, DRIVEN SHAFT, FORK, SHUTTLE  |
| 31.114.AB | 13  | VAR - 743594 - PTO 540/1000 RPM, DRIVEN SHAFT, POWERSHUTTLE   |
| 31.114.AB | 14  | VAR - 743594 - PTO 540/1000 RPM, DRIVEN SHAFT, FORK, POWERSHUTTLE   |
| 31.114.AD | 01  | VAR - 743566, 743594 - PTO 540-540E RPM, PTO 540/1000 RPM, FRONT, DRIVE SHAFT, SHUTTLE                    |
| 31.114.AD | 03  | VAR - 743566, 743594 - PTO 540-540E RPM, PTO 540/1000 RPM, FRONT, DRIVE SHAFT, POWERSHUTTLE               |
| 31.114.AF | 01  | VAR - 743566 - PTO 540-540E RPM, OUTPUT SHAFT, SHUTTLE  |
| 31.114.AF | 02  | VAR - 743566 - PTO 540-540E RPM, OUTPUT SHAFT, POWERSHUTTLE   |
| 31.114.AF | 04  | VAR - 743594 - PTO 540/1000 RPM, OUTPUT SHAFT, SHUTTLE  |
| 31.114.AF | 05  | VAR - 743594 - PTO 540/1000 -540E RPM, OUTPUT SHAFT, POWERSHUTTLE   |
| 31.114.AF | 07  | VAR - 743594 - PTO 540/1000 RPM, OUTPUT SHAFT   |
| 31.114.AH | 01  | VAR - 743566 - PTO 540-540E RPM, COVER, SHUTTLE   |
| 31.114.AH | 02  | VAR - 743566 - PTO 540-540E RPM, COVER, POWERSHUTTLE  |
| 31.114.AH | 04  | VAR - 743594 - PTO 540/1000 RPM, COVER, SHUTTLE   |
| 31.114.AH | 05  | VAR - 743594 - PTO 540/1000 RPM, COVER, POWERSHUTTLE  |
| 31.114.AH | 07  | VAR - 743594 - PTO 540/1000 RPM, COVER, PLUG  |
| 31.114.AT | 01  | VAR - 743566 - PTO 540-540E RPM, GEAR, SHUTTLE  |
| 31.114.AT | 02  | VAR - 743566 - PTO 540-540E RPM, GEAR, POWERSHUTTLE   |
| 31.114.AT | 04  | VAR - 743594 - PTO 540E/1000 RPM, GEAR, SHUTTLE   |
| 31.114.AT | 05  | VAR - 743594 - PTO 540E/1000 RPM, GEAR, POWERSHUTTLE  |
| 33.000.00 |     | SECTION INDEX - BRAKES & CONTROLS   |
| 33.110.AJ | 01  | VAR - 759176 - HAND BRAKE, CONTROL, W/O CAB   |
| 33.110.AJ | 02  | VAR - 759176 - HAND BRAKE, LEVER, COMPONENTS, W/O CAB   |
| 33.110.AJ | 03  | VAR - 759176 - HAND BRAKE, CONTROL, CAB   |
| 33.110.AJ | 04  | VAR - 759176 - HAND BRAKE, LEVER, COMPONENTS, CAB   |
| 33.110.AP | 01  | VAR - 743551 - PARKING BRAKE, CONTROL LEVER - END YR 30-APR-2015  |
| 33.110.AP | 01A | VAR - 743551 - PARKING BRAKE, CONTROL LEVER - BEGIN YR 01-MAY-2015  |
| 33.110.AP | 02  | VAR - 743551 - PARKING BRAKE, CONTROL LEVER - END YR 30-APR-2015  |
| 33.110.AP | 02A | VAR - 743551 - PARKING BRAKE, CONTROL LEVER - BEGIN YR 01-MAY-2015  |
| 33.110.AP | 03  | VAR - 759176 - PARKING BRAKE, COVER   |
| 33.202.AJ | 01  | VAR - 333411, 390411 - BRAKE CYLINDER   |
| 33.202.AJ | 02  | VAR - 333411, 390411 - BRAKE CYLINDER, COMPONENTS   |
| 33.202.AK | 01  | VAR - 333411, 390411 - BRAKE DISC   |
| 33.202.AP | 01  | VAR - 330276, 334176, 334177, 336842, 336843, 336852, 336854, 390067, 390275, 743546, 744576 - BRAKE LINE |
| 33.202.AP | 02  | VAR - 330276, 334176, 334177, 336842, 336843, 336852, 336854, 390067, 390275, 743546, 744576 - BRAKE LINE |
| 33.202.AP | 03  | BRAKE LINE, W/O TRAILER BRAKE VALVE   |

---

## TABLE OF CONTENTS

---

|           |    |  |
|-----------|----|--|
| 33.202.AR | 01 | VAR - 330581, 337323, 390328, 743559, 743560, 744580, 744581, 744990 - BRAKE CYLINDER  |
| 33.202.AR | 02 | BRAKE, MASTER CYLINDER   |
| 33.202.BN | 01 | VAR - 334183, 334187, 334190, 334211, 391606, 392315, 743496, 743573, 744588 - BRAKE, PEDAL  |
| 35.000.00 | 01 | SECTION INDEX - HYDRAULIC SYSTEMS  |
| 35.000.00 | 02 | SECTION INDEX - HYDRAULIC SYSTEMS  |
| 35.000.00 | 03 | SECTION INDEX - HYDRAULIC SYSTEMS  |
| 35.100.AH | 01 | VAR - 332785, 390831, 743595, 743596 - HYDRAULIC LIFT, OIL FILTER, LINE, PIPE  |
| 35.104.AA | 01 | VAR - 743524 - HYDRAULIC PUMP  |
| 35.104.AA | 02 | VAR - 743524 - HYDRAULIC PUMP, COMPONENTS (GEAR 25 CC / 14 CC, PRV)  |
| 35.104.AA | 03 | VAR - 743524 - HYDRAULIC PUMP, COMPONENTS  |
| 35.104.AA | 04 | VAR - 743563 - HYDRAULIC PUMP  |
| 35.104.AA | 05 | VAR - 743563 - HYDRAULIC PUMP, COMPONENTS (19 CC / 11 CC)  |
| 35.104.AA | 06 | VAR - 743563 - HYDRAULIC PUMP, COMPONENTS (19 CC)  |
| 35.114.AA | 01 | VAR - 332785, 390831, 743595 - REAR, HYDRAULIC LIFT, CONTROL VALVE, COMPONENTS   |
| 35.116.AH |    | VAR - 332785, 743596, 743597 - 3 POINT HITCH, LIFT CYLINDER  |
| 35.204.AY |    | VAR - 330581, 337323, 390328, 743559, 743560, 744580, 744581, 744990 - PRESSURE RELIEF VALVE   |
| 35.204.BB | 01 | VAR - 743568 - 1 REMOTE CONTROL VALVE, W/ 2 DELUXE COUPLERS, COUPLING, COVERS  |
| 35.204.BB | 02 | VAR - 743569 - 2 REMOTE CONTROL VALVES, W/ 4 DELUXE COUPLERS, DISTRIBUTOR, COUPLING, COVERS  |
| 35.204.BE | 01 | VAR - 743568 - 1 REMOTE CONTROL VALVE, W/ 2 DELUXE COUPLERS, COMPONENTS  |
| 35.204.BE | 02 | VAR - 743568 - 1 REMOTE CONTROL VALVE, W/ 2 DELUXE COUPLERS, DISTRIBUTOR, COMPONENTS   |
| 35.204.BE | 03 | VAR - 743568 - 1 REMOTE CONTROL VALVE, W/ 2 DELUXE COUPLERS, ATTACHMENT  |
| 35.204.BE | 04 | VAR - 743569 - 2 REMOTE CONTROL VALVE, W/ 4 DELUXE COUPLERS, COMPONENTS  |
| 35.204.BE | 05 | VAR - 743569 - 2 REMOTE CONTROL VALVE, W/ 4 DELUXE COUPLERS, DISTRIBUTOR, COMPONENTS   |
| 35.204.BE | 06 | VAR - 743569 - 2 REMOTE CONTROL VALVE, W/ 4 DELUXE COUPLERS, DISTRIBUTOR, COMPONENTS   |
| 35.204.BE | 07 | VAR - 743569 - 2 REMOTE CONTROL VALVE, W/ 4 DELUXE COUPLERS, DISTRIBUTOR, COMPONENTS   |
| 35.204.BE | 08 | VAR - 743569 - 2 REMOTE CONTROL VALVE, W/ 4 DELUXE COUPLERS, ATTACHMENT  |
| 35.204.BE | 12 | VAR - 743568, 743569 - REMOTE CONTROL VALVE, MOUNTING PARTS  |
| 35.204.BE | 14 | VAR - 330276, 334176, 334177, 336842, 336843, 336852, 336854, 390067, 390275, 743546, 744576 - 1 REMOTE CONTROL VALVE, W/ 2 DELUXE COUPLERS, SUPPORT |
| 35.204.BJ | 01 | VAR - 743568 - 1 REMOTE CONTROL VALVE, W/ 2 DELUXE COUPLERS, LINE  |
| 35.204.BJ | 02 | VAR - 743569 - 2 REMOTE CONTROL VALVE, W/ 4 DELUXE COUPLERS, LINE  |
| 35.204.BJ | 03 | VAR - 390124 - REMOTE CONTROL VALVE, LINE  |
| 35.204.BL | 01 | VAR - 743568 - 1 REMOTE CONTROL VALVE, W/ 2 DELUXE COUPLERS, CONTROL LEVER   |
| 35.204.BL | 02 | VAR - 743569 - 2 REMOTE CONTROL VALVE, W/ 4 DELUXE COUPLERS, CONTROL LEVER   |
| 35.204.BS | 01 | VAR - 336125, 338125, 336780 - MID MOUNT VALVE, BRACKET, PIPE  |
| 35.204.BS | 02 | VAR - 336125, 338125, 336780, 390124 - BRACKET, PIPE   |

---

## TABLE OF CONTENTS

---

|           |    |  |
|-----------|----|--|
| 35.204.BS | 03 | VAR - 336125, 338125, 336780 - MID MOUNT VALVE, COMPONENTS   |
| 35.204.BS | 04 | VAR - 336125, 338125, 336780 - MID MOUNT VALVE, LINE   |
| 35.204.BS | 05 | VAR - 743593 - VALVE, PLUGS  |
| 35.220.AD |    | VAR - 330581, 390328, 743559, 744580, 744581, 744990 - HYDRAULIC PUMP, LINE  |
| 35.220.AE |    | VAR - 330581, 337323, 390328, 743559, 743560, 744580, 744581, 744990 - HYDRAULIC OIL FILTER                                  |
| 35.220.AG |    | VAR - 330581, 337323, 390328, 743559, 743560, 744580, 744581, 744990 - HYDRAULIC PUMP, RETURN, LINE                          |
| 35.701.AX | 01 | VAR - 336734, 336736 - LOADER ARM, BOOM CYLINDER LINES, W/ SELF-LEVELING   |
| 35.701.AX | 02 | VAR - 336732, 336914 - LOADER ARM, BOOM CYLINDER LINES, W/O SELF-LEVELING  |
| 35.701.AX | 03 | VAR - 336734, 336736 - LOADER ARM, BOOM CYLINDER LINES, W/DIVERTER, W/ SELF-LEVELING   |
| 35.701.AX | 04 | VAR - 336732, 336914 - LOADER ARM, BOOM CYLINDER LINES, W/O SELF-LEVELING  |
| 35.701.AX | 05 | VAR - 336744, 336746 - LOADER ARM, BOOM CYLINDER LINES, W/ SELF-LEVELING   |
| 35.701.AX | 06 | VAR - 336744, 336746 - LOADER ARM, BOOM CYLINDER LINES, W/DIVERTER, W/ SELF-LEVELING   |
| 35.701.AX | 07 | VAR - 336740, 336742 - LOADER ARM, BOOM CYLINDER LINES, W/DIVERTER, W/ SELF-LEVELING   |
| 35.701.AX | 08 | VAR - 336740, 336742 - LOADER ARM, BOOM CYLINDER LINES, W/O SELF-LEVELING  |
| 35.701.AX | 09 | VAR - 336125, 338125, 336780 - FRONT LOADER HYDRAULIC SYSTEM   |
| 35.701.AX | 10 | VAR - 336914, 336732, 336734, 336736, 336740, 336742, 336744, 336746 - FRONT LOADER, MID-MOUNT CONTROL VALVE, HYDRAULIC LINE |
| 35.701.CB | 01 | VAR - 336734, 336736 - LOADER ARM, BOOM CYLINDER, MOUNTING, W/ SELF-LEVELING   |
| 35.701.CB | 02 | VAR - 336732, 336734, 336736, 336744, 336746, 336914 - BOOM CYLINDER, COMPONENTS   |
| 35.701.CB | 03 | VAR - 336732, 336914 - BOOM CYLINDER, MOUNTING, W/O SELF-LEVELING  |
| 35.701.CB | 04 | VAR - 336734, 336736 - BOOM CYLINDER, MOUNTING, W/DIVERTER, W/ SELF-LEVELING   |
| 35.701.CB | 05 | VAR - 336744, 336746 - LOADER ARM, BOOM CYLINDER, MOUNTING, W/ SELF-LEVELING   |
| 35.701.CB | 06 | VAR - 336740, 336742, 336744, 336746 - BOOM CYLINDER, COMPONENTS   |
| 35.701.CB | 07 | VAR - 336744, 336746 - BOOM CYLINDER, MOUNTING, W/DIVERTER, W/ SELF-LEVELING   |
| 35.701.CB | 08 | VAR - 336740, 336742 - BOOM CYLINDER, MOUNTING, W/DIVERTER, W/ SELF-LEVELING   |
| 35.701.CB | 09 | VAR - 336740, 336742 - BOOM CYLINDER, MOUNTING, W/O SELF-LEVELING  |
| 35.701.CB | 10 | VAR - 336740, 336742 - BOOM CYLINDER, COMPONENTS   |
| 35.723.AA | 01 | VAR - 336734, 336736 - LOADER ARM, BUCKET CYLINDER, MOUNTING, W/ SELF-LEVELING   |
| 35.723.AA | 02 | VAR - 336734, 336736 - BUCKET CYLINDER, W/ SELF-LEVELING, COMPONENTS   |
| 35.723.AA | 03 | VAR - 336732, 336914 - BUCKET CYLINDER, MOUNTING, W/O SELF-LEVELING  |
| 35.723.AA | 04 | VAR - 336732, 336914 - BUCKET CYLINDER, W/O SELF-LEVELING, COMPONENTS  |
| 35.723.AA | 05 | VAR - 336734, 336736 - LOADER ARM, BUCKET CYLINDER, MOUNTING, W/DIVERTER, W/ SELF-LEVELING                                   |
| 35.723.AA | 06 | VAR - 336744, 336746 - LOADER ARM, BUCKET CYLINDER, MOUNTING, W/ SELF-LEVELING   |
| 35.723.AA | 07 | VAR - 336740, 336742, 336744, 336746, - BUCKET CYLINDER, W/ SELF-LEVELING, COMPONENTS  |
| 35.723.AA | 08 | VAR - 336744, 336746 - LOADER ARM, BUCKET CYLINDER, MOUNTING, W/DIVERTER, W/ SELF-LEVELING                                   |
| 35.723.AA | 09 | VAR - 336740, 336742 - LOADER ARM, BUCKET CYLINDER, MOUNTING, W/DIVERTER, W/ SELF-LEVELING                                   |

---

## TABLE OF CONTENTS

---

|           |    |   |
|-----------|----|---|
| 35.723.AA | 10 | VAR - 336740, 336742 - BUCKET CYLINDER, W/ SELF-LEVELING, COMPONENTS                                  |
| 35.723.AA | 11 | VAR - 336744, 336746 - LOADER ARM, BUCKET CYLINDER, MOUNTING, W/O SELF-LEVELING                       |
| 35.723.AA | 12 | VAR - 336740, 336742 - BUCKET CYLINDER, W/O SELF-LEVELING, COMPONENTS                                 |
| 35.723.AB | 01 | VAR - 336734, 336736 - LOADER ARM, BUCKET CYLINDER LINES, W/ SELF-LEVELING                            |
| 35.723.AB | 02 | VAR - 336732, 336914 - LOADER ARM, BUCKET CYLINDER LINES, W/O SELF-LEVELING                           |
| 35.723.AB | 03 | VAR - 336734, 336736 - LOADER ARM, BUCKET CYLINDER LINES, W/DIVERTER, W/ SELF-LEVELING                |
| 35.723.AB | 04 | VAR - 336732,336914 - LOADER ARM, BUCKET CYLINDER LINES, W/O SELF-LEVELING                            |
| 35.723.AB | 05 | VAR - 336744, 336746 - LOADER ARM, BUCKET CYLINDER LINES, W/ SELF-LEVELING                            |
| 35.723.AB | 06 | VAR - 336744, 336746 - LOADER ARM, BUCKET CYLINDER LINES, W/DIVERTER, W/ SELF-LEVELING                |
| 35.723.AB | 07 | VAR - 336740, 336742 - LOADER ARM, BUCKET CYLINDER LINES, W/DIVERTER, W/ SELF-LEVELING                |
| 35.723.AB | 08 | VAR - 336740, 336742 - LOADER ARM, BUCKET CYLINDER LINES, W/O SELF-LEVELING                           |
| 35.723.AF | 01 | VAR - 336734, 336736 - LOADER BUCKET, VALVE, PIPE, W/DIVERTER, W/ SELF-LEVELING                       |
| 35.723.AF | 02 | VAR - 336734, 336736, 336744, 336746 - LOADER BUCKET, VALVE, W/DIVERTER, W/ SELF-LEVELING, COMPONENTS |
| 35.723.AF | 03 | VAR - 336732, 336914 - LOADER ARM, BUCKET CYLINDER, VALVE, LINES, W/DIVERTER, W/O SELF-LEVELING       |
| 35.723.AF | 04 | VAR - 336732, 336740, 336742, 336914 - LOADER BUCKET VALVE, W/DIVERTER, W/O SELF-LEVELING, COMPONENTS |
| 35.723.AF | 05 | VAR - 336744, 336746 - LOADER BUCKET VALVE, W/DIVERTER, W/ SELF-LEVELING, COMPONENTS                  |
| 35.723.AF | 06 | VAR - 336740, 336742 - LOADER BUCKET, VALVE, PIPE, W/DIVERTER, W/ SELF-LEVELING                       |
| 37.000.00 |    | SECTION INDEX - HITCHES, DRAWBARS AND IMPLEMENT COUPLINGS   |
| 37.100.AA | 01 | VAR - 392905 - DRAWBAR SUPPORT  |
| 37.108.AD | 01 | VAR - 332785, 390831, 743595, 743596 - REAR, HYDRAULIC LIFT, CONTROL LEVER                            |
| 37.108.AD | 02 | VAR - 332035 - HYDRAULIC LIFT, CONTROL LEVER, W/O CAB   |
| 37.108.AD | 03 | VAR - 332035 - HYDRAULIC LIFT, CONTROL LEVER, CAB   |
| 37.108.AE |    | VAR - 332785, 390831, 743595, 743596 - REAR, HYDRAULIC LIFT, LINK & ROD                               |
| 37.108.AL | 01 | VAR - 743595, 743596 - LIFT-O-MATIC, CONTROL LEVER, CAB   |
| 37.108.AL | 02 | VAR - 743595, 743596 - LIFT-O-MATIC, CONTROL LEVER, W/O CAB   |
| 37.108.AL | 03 | VAR - 743595, 743596 - LIFT-O-MATIC, CONTROL LEVER, COMPONENTS  |
| 37.110.AC | 01 | VAR - 332785, 390831, 390832, 743595, 743596, 743597 - HYDRAULIC LIFT, MOUNTING PARTS                 |
| 37.110.AC | 02 | VAR - 332785, 390831, 743595, 743596 - HITCH, LOWER LINK, MOUNTING PARTS                              |
| 37.110.AE |    | VAR - 743598 - 3 POINT HITCH, LIFT ARM  |
| 37.110.AI | 01 | VAR - 390831 - REAR, HYDRAULIC LIFT, ARM  |
| 37.110.AI | 02 | VAR - 390831 - REAR, HYDRAULIC LIFT, SUPPORT  |
| 37.110.AI | 03 | VAR - 332785 - REAR, HYDRAULIC LIFT, ARM  |
| 37.110.AI | 04 | VAR - 332785 - REAR, HYDRAULIC LIFT, SUPPORT  |
| 37.110.AI | 05 | VAR - 743595 - REAR, HYDRAULIC LIFT, ARM  |
| 37.110.AI | 06 | VAR - 743595 - REAR, HYDRAULIC LIFT, SUPPORT  |



---

## TABLE OF CONTENTS

---

|           |    |  |
|-----------|----|--|
| 37.110.AI | 07 | VAR - 743596 - REAR, HYDRAULIC LIFT, ARM                             |
| 37.110.AI | 08 | VAR - 743596 - REAR, HYDRAULIC LIFT, SUPPORT                         |
| 37.110.AK | 01 | VAR - 390831 - REAR, HYDRAULIC LIFT, CONTROL LEVER                   |
| 37.110.AK | 02 | VAR - 332785 - REAR, HYDRAULIC LIFT, CONTROL LEVER                   |
| 37.110.AK | 03 | VAR - 743595 - REAR, HYDRAULIC LIFT, CONTROL LEVER                   |
| 37.110.AK | 04 | VAR - 743596 - REAR, HYDRAULIC LIFT, CONTROL LEVER                   |
| 37.110.AM | 01 | VAR - 390831 - REAR, HYDRAULIC LIFT, HOUSING, LEVER, TIE-ROD         |
| 37.110.AM | 02 | VAR - 390831 - REAR, HYDRAULIC LIFT, HOUSING, LEVER, TIE-ROD, ARM    |
| 37.110.AM | 03 | VAR - 332785 - REAR, HYDRAULIC LIFT, HOUSING, LEVER, TIE-ROD         |
| 37.110.AM | 04 | VAR - 332785 - REAR, HYDRAULIC LIFT, HOUSING, LEVER, TIE-ROD, ARM    |
| 37.110.AM | 05 | VAR - 390831 - REAR, HYDRAULIC LIFT, HOUSING, LEVER, TIE-ROD         |
| 37.110.AM | 06 | VAR - 743595 - REAR, HYDRAULIC LIFT, HOUSING, LEVER, TIE-ROD, ARM    |
| 37.110.AM | 07 | VAR - 743595 - REAR, HYDRAULIC LIFT, HOUSING, LEVER                  |
| 37.110.AM | 08 | VAR - 743596 - REAR, HYDRAULIC LIFT, HOUSING, LEVER, TIE-ROD         |
| 37.110.AM | 09 | VAR - 743596 - REAR, HYDRAULIC LIFT, HOUSING, LEVER, TIE-ROD, ARM    |
| 37.110.AM | 10 | VAR - 743596 - REAR, HYDRAULIC LIFT, HOUSING, LEVER                  |
| 37.110.AP | 01 | VAR - 390831 - REAR, HYDRAULIC LIFT, HOUSING                         |
| 37.110.AP | 02 | VAR - 332785, 390831, 390832, 743597 - REAR, HYDRAULIC LIFT, OIL PAN |
| 37.110.AP | 03 | VAR - 332785 - REAR, HYDRAULIC LIFT, HOUSING                         |
| 37.110.AP | 04 | VAR - 743595 - REAR, HYDRAULIC LIFT, HOUSING                         |
| 37.110.AP | 05 | VAR - 743596 - REAR, HYDRAULIC LIFT, HOUSING                         |
| 37.110.AQ | 01 | VAR - 390831 - 3 POINT HITCH, ROCKSHAFT, CYLINDER                    |
| 37.110.AQ | 02 | VAR - 332785 - 3 POINT HITCH, ROCKSHAFT, CYLINDER                    |
| 37.110.AQ | 03 | VAR - 743595 - 3 POINT HITCH, ROCKSHAFT, CYLINDER                    |
| 37.110.AQ | 04 | VAR - 743596 - 3 POINT HITCH, ROCKSHAFT, CYLINDER                    |
| 37.120.AA |    | VAR - 743598 - 3 POINT HITCH, TOP LINK, COMPONENTS                   |
| 37.120.AF |    | VAR - 743598 - 3 POINT HITCH, STABILIZER                             |
| 37.120.AO | 01 | VAR - 743598 - 3 POINT HITCH, LOWER LINK, RIGHT, COMPONENTS          |
| 37.120.AO | 02 | VAR - 743598 - 3 POINT HITCH, LOWER LINK, LEFT, COMPONENTS           |
| 37.120.AV |    | VAR - 743598 - 3 POINT HITCH, VERTICAL, ROD                          |
| 39.000.00 |    | SECTION INDEX - FRAMES AND BALLASTING                                |
| 39.140.AF | 01 | VAR - 331122 - FRONT, BALLAST, TOW HOOK                              |
| 39.140.AF | 02 | VAR - 331215 - FRONT, BALLAST, TOW HOOK (60 KG)                      |
| 39.140.AF | 03 | VAR - 332215 - FRONT, BALLAST (160 KG)                               |
| 39.140.AF | 04 | VAR - 333215 - FRONT, BALLAST (240 KG)                               |
| 39.140.AF | 05 | VAR - 335215 - FRONT, BALLAST (320 KG)                               |

---

**TABLE OF CONTENTS**

---

|           |    |  |
|-----------|----|--|
| 39.140.AF | 06 | VAR - 331122 - FRONT, BALLAST, TOW HOOK  |
| 39.140.AL |    | VAR - 330470 - REAR, BALLAST   |
| 41.000.00 | 01 | SECTION INDEX - STEERING   |
| 41.000.00 | 02 | SECTION INDEX - STEERING   |
| 41.101.AF | 01 | VAR - 334183, 334187, 334190, 334211, 391606, 392315, 743496, 743573, 744588 - STEERING COLUMN                       |
| 41.101.AF | 02 | VAR - 334183, 334211, 391606, 743496, 743573, 744588 - STEERING COLUMN, CAB  |
| 41.101.AJ | 01 | VAR - 334183, 334187, 334190, 334211, 391606, 392315, 743496, 743573, 744588 - STEERING WHEEL                        |
| 41.101.AJ | 02 | VAR - 334183, 334211, 391606, 743496, 743573, 744588 - STEERING WHEEL, CAB   |
| 41.106.AB | 01 | VAR - 330581 - FRONT AXLE, PITMAN, 2WD   |
| 41.106.AB | 02 | VAR - 330581 - FRONT AXLE, PITMAN, 2WD, HEAVY DUTY   |
| 41.106.AC | 01 | VAR - 330581 - FRONT AXLE, ADJUSTMENT ROD, 2WD   |
| 41.106.AC | 02 | VAR - 330581 - FRONT AXLE, ADJUSTMENT ROD, 2WD, HEAVY DUTY   |
| 41.106.AD | 01 | VAR - 337323, 390328, 743559, 743560, 744580, 744581, 744990 - FRONT AXLE, STEERING TIE-ROD, 4WD                     |
| 41.200.AA | 01 | VAR - 330581 - STEERING LINE, SHUTTLE, 2WD   |
| 41.200.AA | 02 | VAR - 330581 - STEERING LINE, POWERSHUTTLE, 2WD  |
| 41.200.AA | 03 | VAR - 390328, 743559, 744580, 744581, 744990 - STEERING LINE, SHUTTLE, 4WD   |
| 41.200.AA | 04 | VAR - 337323, 390328, 743559, 743560, 744580, 744581, 744990 - STEERING LINE, POWERSHUTTLE, 4WD                      |
| 41.200.AO | 01 | VAR - 390328, 743559, 743560, 744580, 744990 - FRONT AXLE, LUBRICATION LINE, 4WD                                     |
| 41.200.AO | 02 | VAR - 337323, 744581 - FRONT AXLE, LUBRICATION LINE, 4WD, HEAVY DUTY   |
| 41.200.CA | 01 | VAR - 330581 - STEERING VALVE, SHUTTLE, 2WD  |
| 41.200.CA | 02 | VAR - 330581 - STEERING VALVE, POWERSHUTTLE, 2WD   |
| 41.200.CA | 03 | VAR - 390328, 743559, 744580, 744581, 744990 - STEERING VALVE, SHUTTLE, 4WD  |
| 41.200.CA | 04 | VAR - 337323, 390328, 743559, 743560, 744580, 744581, 744990 - STEERING VALVE, POWERSHUTTLE, 4WD                     |
| 41.206.AA | 01 | VAR - 743524 - HYDRAULIC PUMP, COMPONENTS (GEAR 14 CC, PRV)  |
| 41.206.AA | 02 | VAR - 743563 - HYDRAULIC PUMP, COMPONENTS (11 CC)  |
| 41.216.AB | 01 | VAR - 330581 - FRONT AXLE, OPERATING CYLINDER, 2WD   |
| 41.216.AB | 02 | VAR - 330581 - FRONT AXLE, OPERATING CYLINDER, COMPONENTS, 2WD   |
| 41.216.AB | 03 | VAR - 330581 - FRONT AXLE, OPERATING CYLINDER, 2WD, HEAVY DUTY   |
| 41.216.AB | 04 | VAR - 330581 - FRONT AXLE, OPERATING CYLINDER, COMPONENTS, 2WD, HEAVY DUTY   |
| 41.216.AN | 01 | VAR - 390328, 743559, 743560, 744580, 744990 - FRONT AXLE, STEERING CYLINDER, 4WD                                    |
| 41.216.AN | 02 | VAR - 337323, 744581 - FRONT AXLE, STEERING CYLINDER, 4WD, HEAVY DUTY  |
| 41.216.AV | 01 | VAR - 330581 - HYDRAULIC STEERING, CYLINDER, LINE, SHUTTLE, 2WD  |
| 41.216.AV | 02 | VAR - 330581 - HYDRAULIC STEERING, CYLINDER, LINE, SHUTTLE, 2WD  |
| 41.216.AV | 03 | VAR - 390328, 743559, 744580, 744581, 744990 - HYDRAULIC STEERING, CYLINDER, LINE, SHUTTLE, 4WD                      |
| 41.216.AV | 04 | VAR - 337323, 390328, 743559, 743560, 744580, 744581, 744990 - HYDRAULIC STEERING, CYLINDER, LINE, POWERSHUTTLE, 4WD |

---

## TABLE OF CONTENTS

---

|           |    |  |
|-----------|----|--|
| 41.216.AV | 05 | VAR - 334216, 334218 - HYDRAULIC STEERING, LINE, STEERING CYLINDER, 4WD  |
| 41.216.AV | 06 | VAR - 334216, 334218 - HYDRAULIC STEERING, LINE, STEERING CYLINDER, 2WD  |
| 41.216.AV | 07 | VAR - 334183, 334211, 391606, 743496, 743573, 744588 - HYDRAULIC STEERING, LINE, STEERING CYLINDER, SUPPORT, CAB |
| 41.216.AV | 07 | VAR - 334187, 334190, 392315 - HYDRAULIC STEERING, LINE, STEERING CYLINDER, SUPPORT, CAB, W/O CAB                |
| 44.000.00 | 01 | SECTION INDEX - WHEELS   |
| 44.000.00 | 02 | SECTION INDEX - WHEELS   |
| 44.511.AE | 01 | VAR - 8111304, 8111364 - FRONT, WHEEL W5.5FX16   |
| 44.511.AE | 02 | VAR - 8114404 - FRONT, WHEEL W8X16   |
| 44.511.AE | 03 | VAR - 8122304, 8122404, 8124704 - FRONT, WHEEL W8X15   |
| 44.511.AE | 04 | VAR - 8232304, 8232404, 8235404, 8235601 - FRONT, WHEEL W10X24   |
| 44.511.AE | 05 | VAR - 8236404, 8236501, 8239404, 8240604 - FRONT, WHEEL W12X24   |
| 44.511.AE | 06 | VAR - 8247404 - FRONT, WHEEL W10X28  |
| 44.511.AE | 07 | VAR - 8284604 - FRONT, WHEEL W11X16.1  |
| 44.511.AE | 08 | VAR - 8290904 - FRONT, WHEEL W9X20   |
| 44.511.AE | 09 | VAR - 8873401 - FRONT WHEELS W4EX16  |
| 44.511.AE | 10 | VAR - 8873402 - FRONT, WHEELS W11X20   |
| 44.511.AE | 11 | VAR - 8126601 - FRONT, WHEEL (W8LBX15), W/ HEAVY DUTY AXLE   |
| 44.511.AE | 12 | VAR - 8125801 - FRONT, WHEEL (W5.5FX16), W/ HEAVY DUTY AXLE  |
| 44.511.AE | 13 | VAR - 8125901 - FRONT, WHEEL (W8X16), W/ HEAVY DUTY AXLE   |
| 44.520.AB | 01 | VAR - 8302804, 8364604, 8365404, 8365501 - REAR, WHEEL W15LX34   |
| 44.520.AB | 02 | VAR - 8310701 - REAR, WHEEL W18X16.1   |
| 44.520.AB | 03 | VAR - 8320604, 8320704 - REAR, WHEEL W14LX24   |
| 44.520.AB | 04 | VAR - 8351404 - REAR, WHEEL W13X28   |
| 44.520.AB | 05 | VAR - 8352304, 8352404, 8968801 - REAR, WHEEL W15LX28  |
| 44.520.AB | 06 | VAR - 8355304, 8355404, 8906401, 8930801 - REAR, WHEEL DWW14LX30   |
| 44.520.AB | 07 | VAR - 8357404, 8363801, 8957801 - REAR, WHEEL DWW15LX30  |
| 44.520.AB | 08 | VAR - 8372404 - REAR, WHEEL DWW12X38   |
| 44.520.AB | 09 | VAR - 8391904 - REAR, WHEEL W16LX24  |
| 44.520.AB | 10 | VAR - 8925801 - REAR, WHEEL W20X26.5   |
| 44.520.AB | 11 | VAR - 8950201 - REAR, WHEEL DW20BX30   |
| 50.000.00 |    | SECTION INDEX - CAB CLIMATE CONTROL  |
| 50.100.AP | 01 | VAR - 334183, 334211, 391606, 743496, 743573, 744588 - AIR CONDITIONING  |
| 50.100.AP | 02 | VAR - 334183, 334211, 391606, 743496, 743573, 744588 - AIR CONDITIONING  |
| 50.100.AQ | 01 | VAR - 334183, 334211, 391606, 743496, 743573, 744588 - CAB, HEATER HOSE  |
| 50.100.AQ | 02 | VAR - 334183, 334211, 391606, 743496, 743573, 744588 - CAB, HEATER HOSE  |
| 50.100.AQ | 03 | VAR - 334187, 334190, 392315 - PLATFORM, W/O HEATER, LINE  |

**Thanks very much for your reading,  
Want to get more information,  
Please click here, Then get the complete  
manual**

**JustClickHere** 

**NOTE:**

**If there is no response to click on the link above,  
please download the PDF document first, and then  
click on it.**

**Have any questions please write to me:  
[admin@servicemanualperfect.com](mailto:admin@servicemanualperfect.com)**